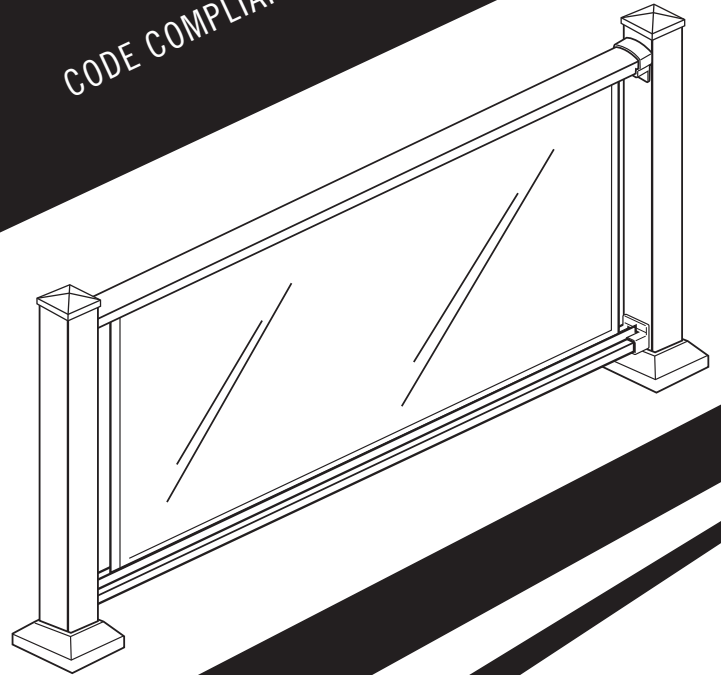


Glass Panel & Aluminum Railing Systems

CODE COMPLIANT RAILING FOR YOUR LIFESTYLE

Care and Maintenance

While most powder coat finishes are tougher and much more flexible than conventional solvent based paints, they are about the same hardness as automotive paint and can scratch. To clean a powder coated surface, use the same care and methods you would use to clean your car. Gently wash with a clean, soft cloth and a mild detergent followed by a clear water rinse, additionally certain solvents can harm the finish. Avoid contact with nail polish remover, paint or lacquer thinner, motor oils, transmission and brake fluids or solvent based cleaning fluids. If any of these should contact the powder coated surface, immediately wipe the area with a soft, clean cloth, and wash as described above.



Congratulations!

You are on your way to a maintenance free railing system that is easily assembled and installed. With your new railing system, you'll feel safe being protected by the tremendous strength of its aluminum alloy components, plus be comforted knowing the hardened powder coated finish will last year after year.

www.maddenindustries.com

For assistance call 573-559-0090

Contents

Contents/Introduction	2
Tools You Will Need <i>(not included)</i>	3
Glass Panel Railing Components	4
Glass Panel Railing Kits	4
Glass Panel Railing Assembly Overview	4
Post Installation	6
Installing into wood/composite decking	7
Installing into concrete	7
Constructing the Bottom Glass Channel Assembly	8
Bottom Glass Channel	9
Installing the Lower Assembly	9
Constructing the Upper Glass Channel Assembly	10
Installing the Glass Panels	10
Installing the Glass Spline	11
Installing the Upper Assembly	12
Installing the Glass Spacers	12
Stair Applications and Non 90-degree Angles	12
Stair Railing Helpful Hints & Apps	13
Gate Instructions	13
Care and Maintenance	BC

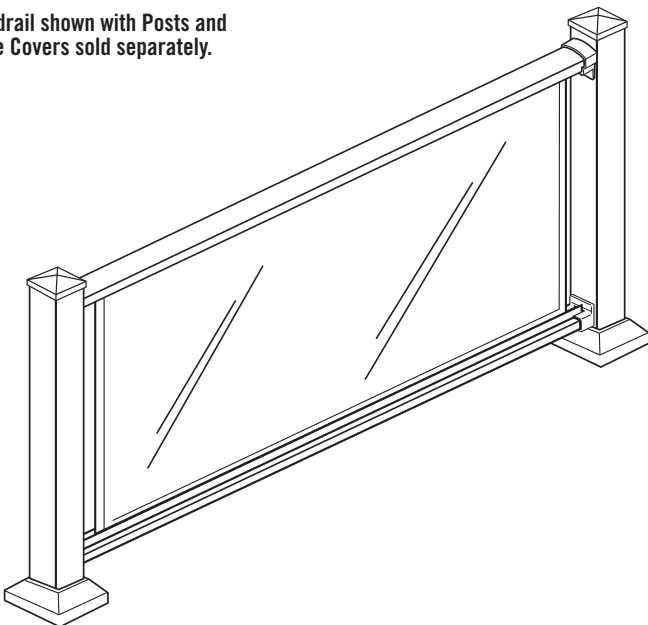
Please take a moment to read the instructions before you begin assembling your railing.

Introduction

Check the contents of Handrail box with these instructions to verify all parts are present. This will allow you to become familiar with the components of your new Handrail system.

- Inspect all component parts for familiarity
- Layout recommended tools
- Before cutting any component, know its use – “measure twice and cut once”
- The included wood fasteners are ACQ treated lumber approved
- The included concrete fasteners are for brick and concrete

Handrail shown with Posts and Base Covers sold separately.



www.maddenindustries.com

Tools You Will Need

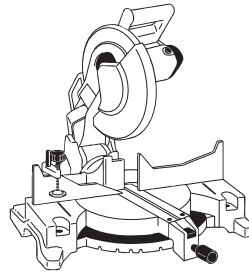
(not included)

- A - Level
- B - Chop Saw (60 tooth wood blade)
- C - Safety Glasses
- D - 5/16" Hex Bit Driver
1/4" Hex Bit Driver
- E - Tape Measure
- F - Screw or Impact Gun
- G - Pencil
- H - Drill Bits:
1/8" wood, 1/4" wood, 1/4"x 3.5"concrete
- I - (2) pcs 10" 2 x 4 lumber to support railing during installation (optional)
- J - Ear Protection

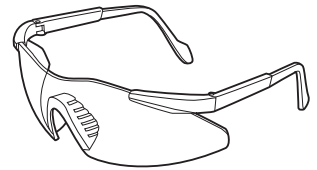
A



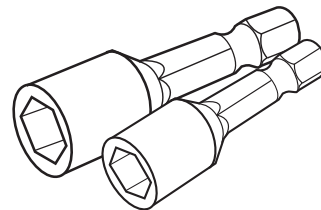
B



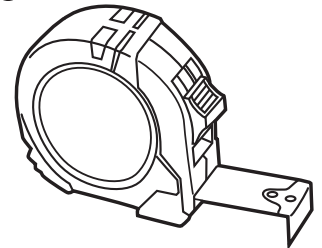
C



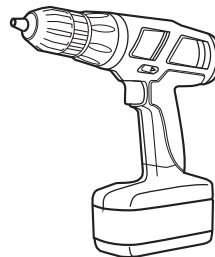
D



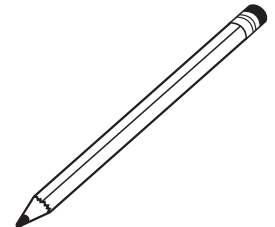
E



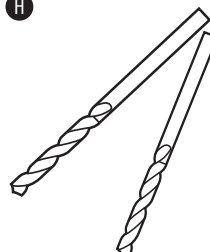
F



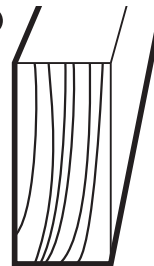
G



H



I



J



For assistance call 573-559-0090

Glass Panel Railing Box Contents

Glass Panel Railing Components

Top Cap (A)	Glass Panel (H)
Glass Channel (B1, B2)	1" Self Tapper (J)
Bottom Channel (C)	Mid Support (K)
Bottom Post Mount (D)	Glass Spacer (L)
Top Post Mount (E)	Tapcon (N) (Concrete)
Setting Block (F)	Mid Support Template (M)
Glass Spline (G)	

6 Ft. Glass Panel Railing Kit

Qty	Length	Description	Qty	Length	Description
1	6'	Top Cap (A)	1	Each	Glass Panel (H)
2	6'	Glass Channel (B1 & B2)	12	1"	Self Tapping Fastener (J)
1	6'	Bottom Channel (C)	1	3.5"	Mid Support (K)
2	Each	Bottom Post Mount (D)	4	3 3/4"	Glass Spacer (L)
2	Each	Top Post Mount (E)	8	2 1/4"	Tapcon Fastener (N) (Concrete)
12	1"	Setting Block (F)			
1	27 feet	Glass Spline (G)	1		Mid Support Template (M)

8 Ft. Glass Panel Railing Kit

Qty	Length	Description	Qty	Length	Description
1	8'	Top Cap (A)	1	Each	Glass Panel (H)
2	8'	Glass Channel (B1 & B2)	12	1"	Self Tapping Fastener (J)
1	8'	Bottom Channel (C)	1	3.5"	Mid Support (K)
2	Each	Bottom Post Mount (D)	4	3 3/4"	Glass Spacer (L)
2	Each	Top Post Mount (E)	8	2 1/4"	Tapcon Fastener (N) (Concrete)
16	1"	Setting Block (F)			
1	36 feet	Glass Spline (G)	1		Mid Support Template (M)

Glass Panel Railing Assembly Overview

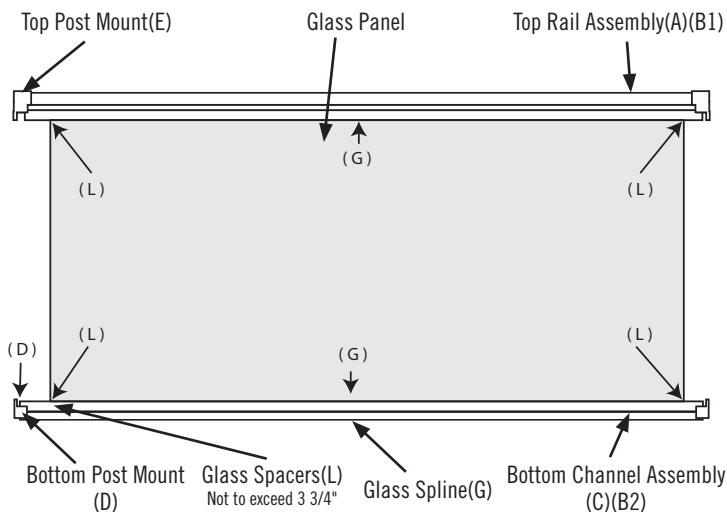
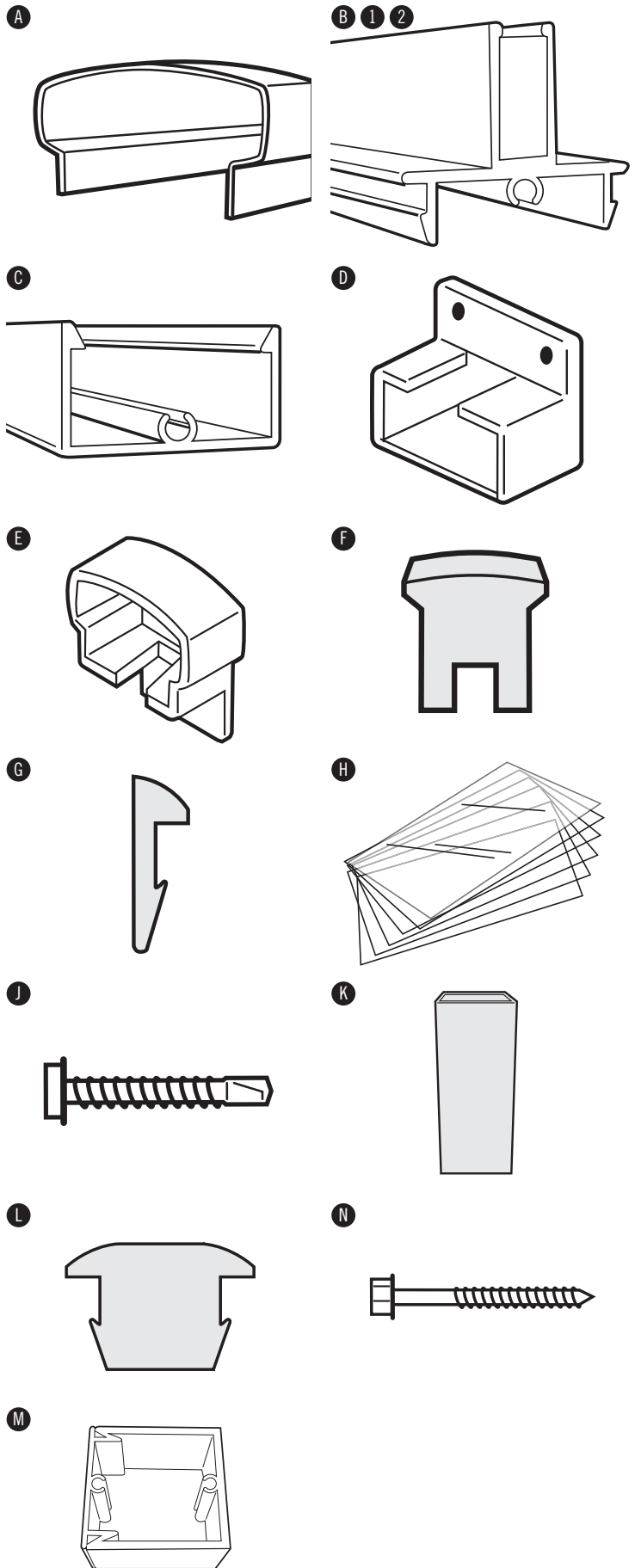


Illustration #1

Glass Panel Handrail installed heights are 36" for residential and 42" for commercial. Always start installation (Glass Spacer or Glass Panel) at the midpoint of the handrail section.

Note: Posts heights are 38" for residential railing and 44" for commercial railing (sold separately). This product works with ADA Handrail. Ask you local building supply source for more information about ADA Handrails.

www.maddenindustries.com

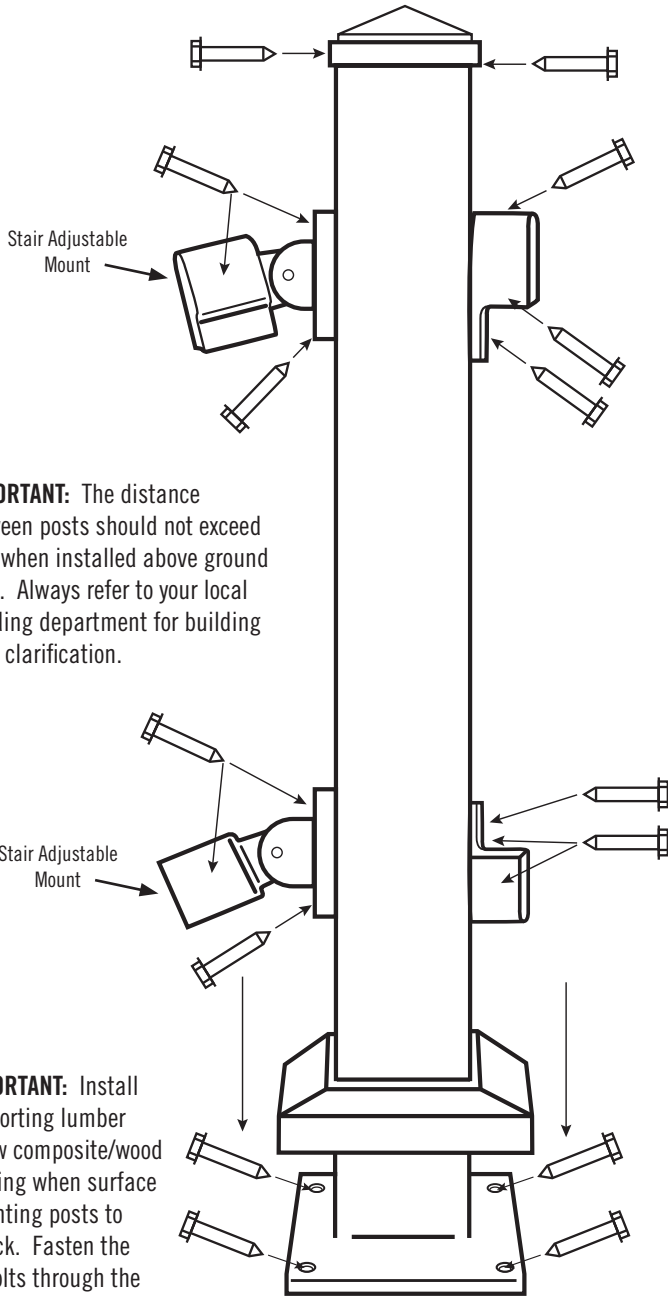


For assistance call 573-559-0090

Post Installation with Welded Base Plate

Start by ensuring that you have a solid and level mounting surface for your post(s). Washers or galvanized/stainless metal shims (not included) may be used to plum posts.

Post Mounts are installed with railing sections in later steps. Mounts shown for informational purpose only in this step.



IMPORTANT: The distance between posts should not exceed 6 ft. when installed above ground level. Always refer to your local building department for building code clarification.

IMPORTANT: Install supporting lumber below composite/wood decking when surface mounting posts to a deck. Fasten the 4" bolts through the decking and supporting underside lumber with the provided tee nuts.

Note: When installing the post base into ACQ lumber, use stainless steel bolts (not included)

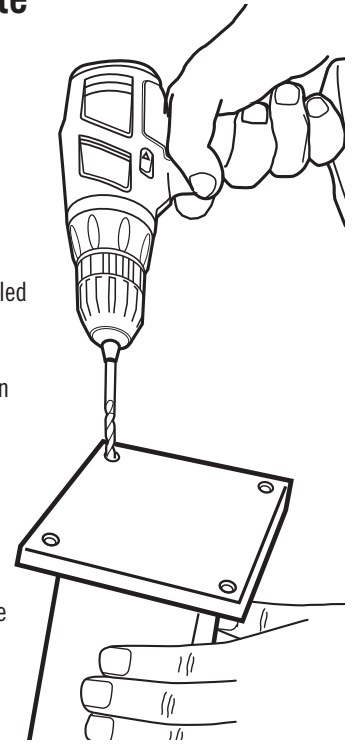
Installation into wood/composite decking/Non ACQ lumber:

1. Determine the 3"x 3" post location(s). Spacing between posts should be 6' or less to meet IBC codes when installed 24" or higher above the ground.
2. We recommend the edge of the 5"x 5" base plate is fastened at least 1 3/4" in from the edge of the deck (do not lag screw into the rim joist unless absolutely necessary).
3. Reinforce the decking with support lumber "backer board". A piece of 2"x 10" lumber cut to fit tightly between the joists and installed flat under the decking works great.
4. Square up the post with the deck and mark all (4) holes with a pencil.
5. At your (4) pencil marks, drill a 1/4" hole through the decking and backer board.
6. Using a 7/16" socket bit in your drill, thread the 1/4"x 4" Thru Bolt into the post plate, through the deck, and through the backer board. **
7. Thread the Tee Nut onto the 4" Thru Bolt underneath the decking and support lumber.
8. Tighten post firmly to deck.
9. Slide on optional post base cover to hide fasteners.
10. Attach post cap after railing has been installed using 1" fasteners provided.

** Note: The 4" Thru Bolt fits very tightly into the post base plate (especially Textured Black Posts due to thicker powder coat finish) and in some cases must be predrilled using a 1/4" drill bit.

Installation into concrete

1. Turn the post upside down on a hard surface and prepare to drill larger holes in base plate. Enlarge the (4) existing post base plate holes to 5/16" (using a 5/16" drill bit).
2. Determine the 3"x 3" post location(s). Spacing between posts should be 6' or less to meet IBC codes when installed 24" or higher above the ground.
3. We recommend the edge of the 5"x 5" base plate is fastened at least 1 1/2" in from the edge of any concrete face (assuming normal weight concrete).
4. Square up the post with the concrete surface and mark all (4) holes with a marker.
5. At your (4) marks, drill a 1/4" to 3 1/2" or deeper hole into the concrete using a masonry bit.
6. Fasten post in place with provided 1/4" x 3" Powers Wedge Bolts
7. Begin tightening the anchor with socket wrench or impact wrench by rotating clockwise and applying pressure in toward the concrete.
8. Continue tightening the anchor until the head is firmly seated against the post base plate. (Do not over tighten).
9. Slide on optional post base cover to hide fasteners. Attach post cap after railing has been installed using 1" fasteners provided.



IMPORTANT !!! DO NOT ASSEMBLE BOTTOM RAIL UNTIL THE MID SUPPORT (K) IS ATTACHED TO BOTTOM CHANNEL (C) (8' SECTION ONLY)

Constructing the Bottom Glass Channel Assembly

1. Measure the distance between your existing posts or newly installed Posts. A more accurate measurement is taken near the bottom of the posts (Illustration #2).
2. Subtract a 1/2" from the total measurement to allow your assembly and Bottom Post Mount to pass the post without scratching the finish. Example: If the measurement is 60" inches cut C & B1 to 59 1/2" inches.
3. Cut your Bottom Channel (C) and Bottom Glass Channel (B1) to the adjusted measurement.
4. Using the Mid Support Template (M), drill 1/8" pilot holes at center of Bottom Channel (C). Illustration #3
5. Using 1" Self Tapping fasteners, attach Mid Support (K) to the Bottom Channel (C)
6. Next, snap Glass Channel (B1) with Bottom Channel (C). Keep the ends flush. Start at one end and press together until you hear the pieces snap, then continue to the other end. (Illustration #3A). **This is a VERY TIGHT fit, a wood block and hammer may be required to join the bottom rails.**

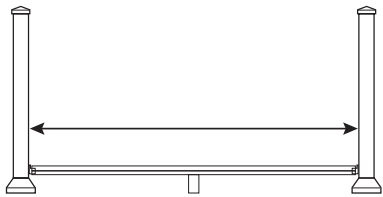


Illustration #2

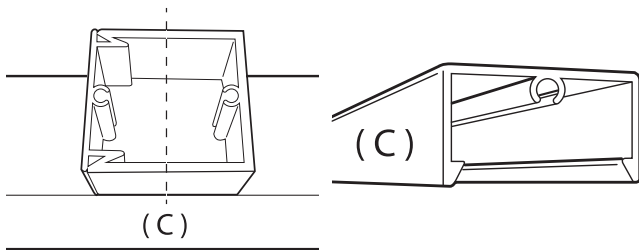


Illustration #3

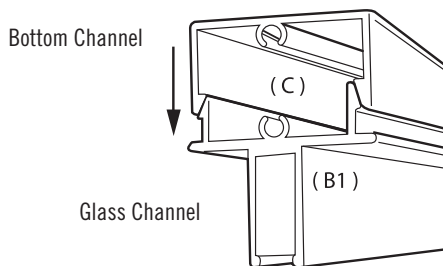
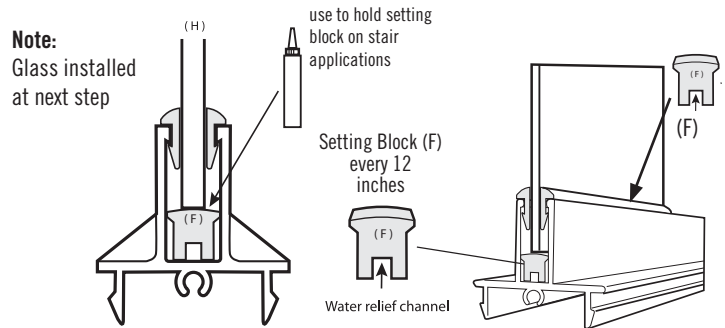


Illustration #3A

Placing Setting Blocks in Bottom Glass Channel

1. Place two Setting Blocks (F) in the Bottom Glass Channel Assembly for each Glass Panel (H). Make sure the water relief channel is facing down. Use silicone caulk (sold separately on top of setting blocks to secure glass in place. Do not install glass at this time.

Note: Use silicone caulk to hold Setting Blocks (F) in place for stair or ramp installations. (Silicone caulk sold separately).



Installing the Lower Assembly

1. Place the Bottom Post Mounts (D) on each end of the Bottom Channel Assembly making sure the fastener portion is facing up. (Illustration #4).
2. Attach the Bottom Channel Assembly to your post. (The maximum distance from the decking / flooring to the bottom of the Bottom Glass Channel Assembly is 3 3/4". (Illustration #4). **Suggestion:** The width of a 2 x 4 is 3 1/2", some contractors will install the Bottom Channel Assembly by setting it on 2x4's at both ends.
3. Fasten the Bottom Channel Assembly Post Mounts (D) to the post using the appropriate fasteners (J, M, N). (See post detail page if necessary).
4. Secure a third fastener (U) through the side of the Bottom Post Mount (D) securing the Bottom Channel Assembly to the Bottom Post Mount. This fastener should be placed on the outside (non viewable side) of the railing as indicated below. Repeat at the opposite end.

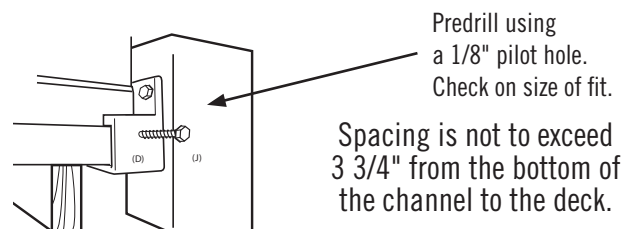
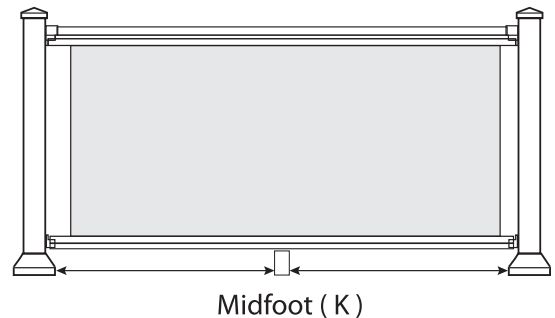


Illustration #4

Constructing the Upper Glass Channel Assembly

1. Measure the distance between your existing posts or newly installed Posts. A more accurate measurement is taken 36" up from the deck. (Illustration #5).
2. Subtract a 1/2" from the total measurement to allow your assembly and Top Post Mount to pass the post without scratching the finish. Example: If the measurement is 60" inches cut A & B2 to 59 1/2" inches.
3. Cut Top Cap (A) and Top Glass Channel (B2) to the adjusted measurement.
4. Next, snap Top Cap (A) with Top Glass Channel (B2). Keep the ends flush. Start at one end and press together until you hear the pieces snap, then continue to the other end. (Illustration #6).
5. Slide in 4 setting blocks to top rail assembly.
6. After the Top Cap Assembly is snapped together, place the Top Post Mounts (E) on each end making sure the fastener portion is facing down, and set aside until needed.

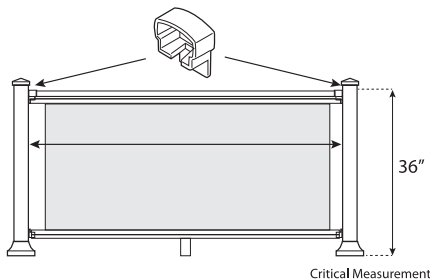


Illustration #5

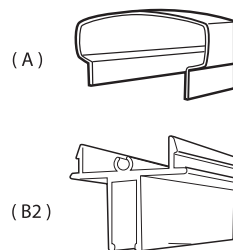


Illustration #6

Installing the Glass Panels

STEP 1:

1. Ensure the Setting Blocks (F) are 12" apart. (Illustration #11). Glass must rest on the Setting Blocks.

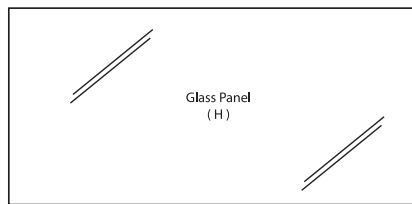
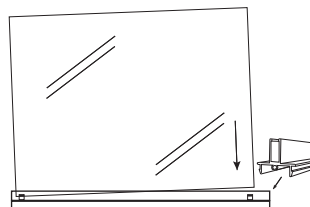
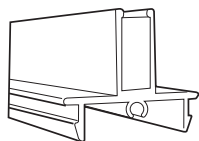


Illustration #9

STEP 2:

1. Set glass panel into bottom rail



Installing the Upper Assembly

1. After placing the top rail assembly on glass panel, fasten the mounts to the post using the appropriate fasteners (J, M, N). (See previous post detail).
2. Place a third fastener (J) through the side of the Top Post Mount (E) securing the Top Glass Channel Assembly to the Top Post Mount. This fastener should be placed on the outside (non viewable side) of the railing as indicated below. Repeat at the opposite end.

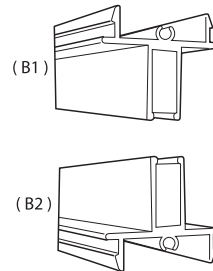
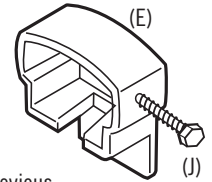


Illustration #7



J, M, or N - see previous post detail page for appropriate fasteners

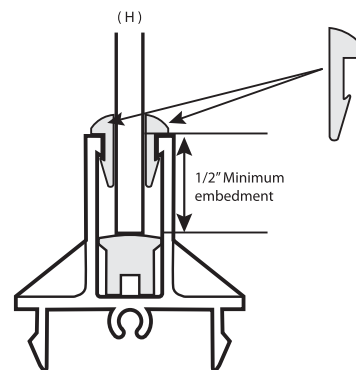
Illustration #7B

Installing the Glass Spacers

1. CENTER GLASS PANEL TO ENSURE UNIFORM SPACING BETWEEN GLASS AND POSTS.
Glass Spacer length is approximately 3 3/4". Trim the spacers as necessary using a utility knife or razor blade. Code requires gaps between panel and posts to be less than 4 inches.
2. Install a spacer firmly against each side of the Glass Panel at the top and at the bottom. Glass Spacers will not slide once installed.

Installing the Glass Spline

1. After checking for the proper glass embedment of 1/2" in., apply the Glass Spline (G) around your first Glass Panel (H) at the bottom assembly and then the top assembly. (Illustration #12)



Tip:
Dip spline in soapy water for easy application

Congratulations Installation Complete

ADDITIONAL INFORMATION

Stair Applications and Non 90-degree Angles

This kit is manufactured for level runs only. For stair installations, custom Glass Panels must be ordered through your local retailer. One Handrail Pivot Mount Kit (PMW) is required for each stair section as well. (Illustration #13) stair components.

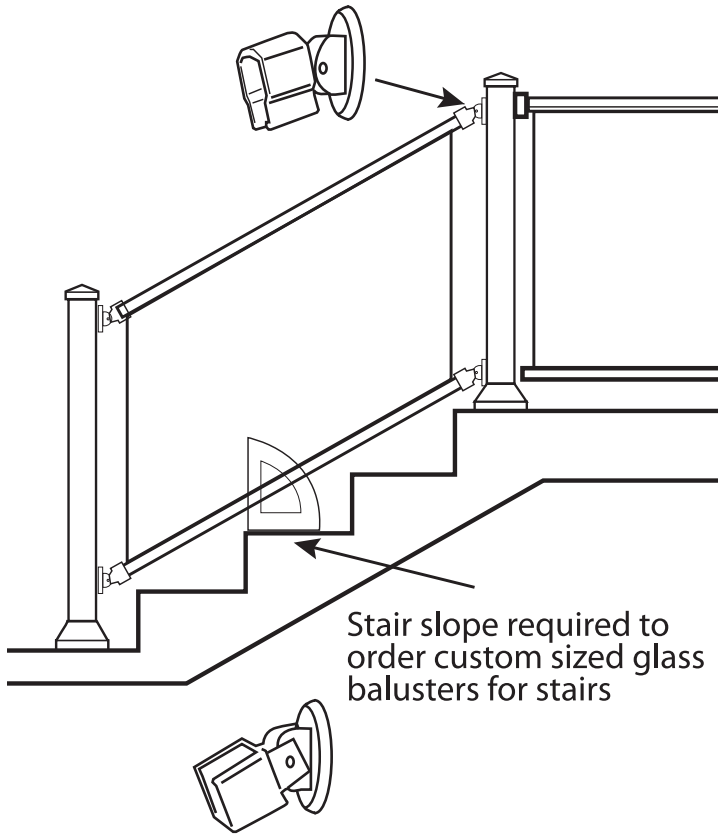


Illustration #13

Stair Railing Helpful Hints & Apps

RISE	RUN (TREAD LENGTH)								
	10"	10.5"	11"	11.5"	12"	12.5"	13"	13.5"	14"
5"	27°	25°	24°	23°	23°	22°	21°	20°	20°
5.25"	28°	27°	26°	25°	24°	23°	22°	21°	21°
5.5"	29°	28°	27°	26°	25°	24°	23°	22°	21°
5.75"	30°	29°	28°	27°	26°	25°	24°	23°	22°
6"	31°	30°	29°	28°	27°	26°	25°	24°	23°
6.25"	32°	31°	30°	29°	28°	27°	26°	25°	24°
6.5"	33°	31°	30°	29°	28°	27°	27°	26°	25°
6.75"	34°	33°	32°	30°	29°	28°	27°	27°	26°
7"	35°	34°	32°	31°	30°	29°	28°	27°	27°
7.25"	36°	35°	33°	32°	31°	30°	29°	28°	27°
7.5"	37°	36°	34°	33°	32°	31°	30°	29°	28°
7.75"	38°	36°	35°	34°	33°	32°	31°	30°	29°

Tip#2: Smartphones and tablets have good (free) angle finder apps

Gate Instructions

Gates can swing left or right depending on the hinge location. Standard hinges and gravity latch are include with all Gates. Note: Self closing hinges and pool child safety latch sold separately.

1. Verify rough opening between posts is 1" greater than width of gate.
2. Set gate in opening and visually identify where hinges will attach to gate for the desired swing direction.
3. Measure 3" down from the very top of gate and attach hinge to appropriate gate face using the provided fasteners.
4. Attach 2nd hinge 3" down from the very top of the gate and attach gate latch arm to appropriate gate face using the provided fasteners.
6. Place (2) 2 x 4's on edge in the gate opening so the gate may rest in place while attaching the hinges to the post.
7. Level gate in position and fasten top hinge to appropriate post face with a single fastener only.
8. Confirm levelness and attach bottom hinge to post using all three fasteners.
9. Complete installation of top hinge with remain two fasteners and remove 2 x 4's. Hold gate latch on latch arm, swing gate closed, mark holes and fasten latch to post.

Available gate sizes:

Residential: 36"W x 36"H

Commercial: 36"W x 42"H

Pool Gate: 36"W x 48"H

Typical railing Heights:

Residential: 36"

Commercial: 42"

Pool Fencing: 48"-54" (check local codes)